

MM19 (4HF) Marine Monitor

The Marine Monitor MM19 satisfies the requirements of high quality graphical user interface for vessels and other marine applications. As you would expect it is fully certified by DNV and GL. The MM series is available with antireflex glass or with resistive touch screen in the classical 5:4 display size suitable for marine applications. Multi-video-input, DC or AC power supply and front side data inputs allows flexible usage.

The brilliant display with LED backlight is dimmable down to 0 and fulfills the requirements of EN 60945 for bridge use

SONOVE Services

- ✓ **Customer-specific Front Design**
- ✓ **Customized remote control and specific multi video In functions**
- ✓ **Customized Systems (HW / SW) incl. DNV GL Type Approvals**



Technical Data MM19 (4HF)

19" TFT Display in classical 5:4, resolution 1280 x 1024, brightness: 300 cd, LED Backlight, contrast 1000:1
antireflex glass / resistive touch
IP65 Front, iP40 back

Video In: VGA, DVI, S-Video, Composite

Multi video In functions, e.g. Picture in Picture

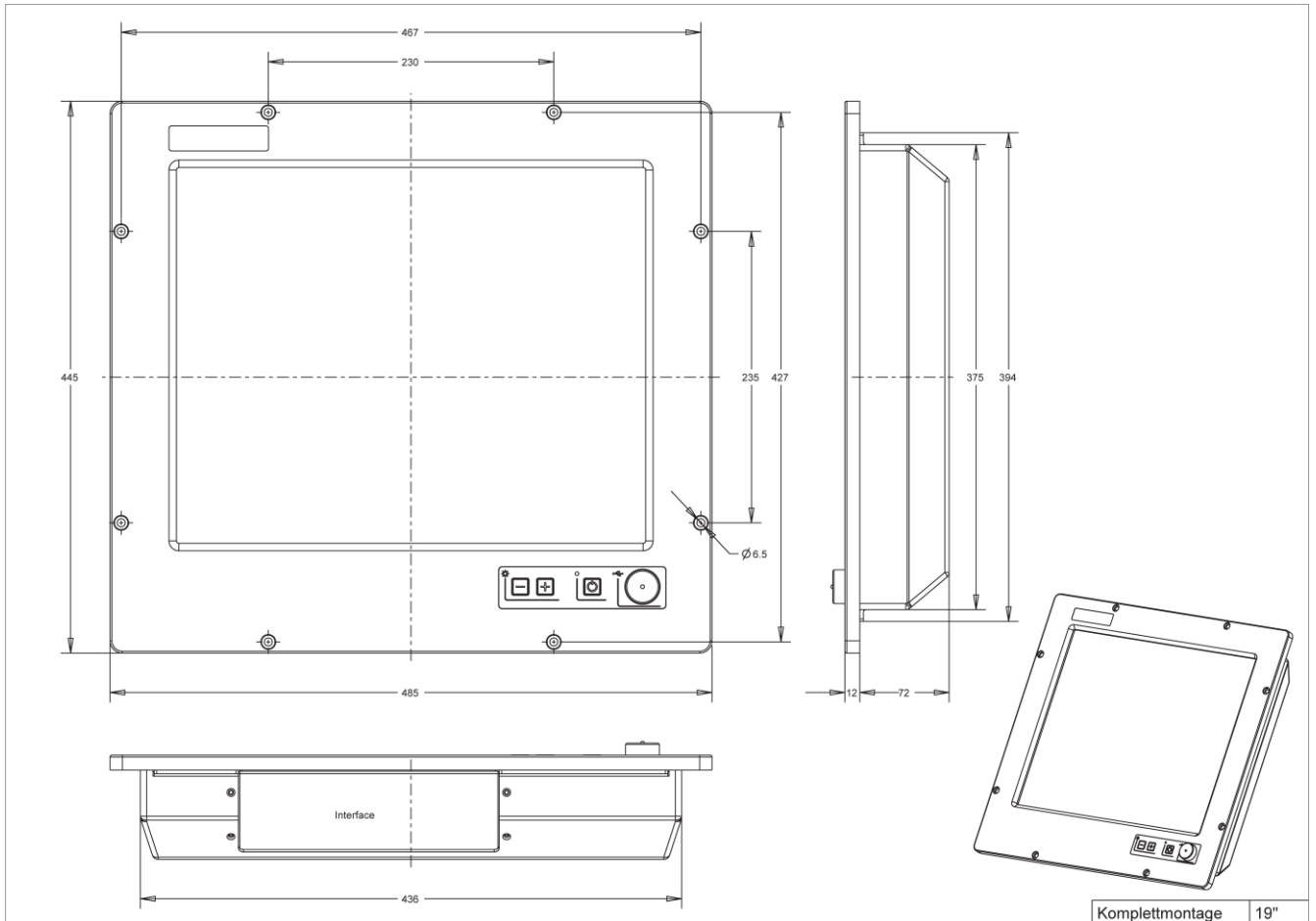
4 USB, 2 available at the front

Power supply:
24 VDC / 230 VAC,

Temp. -15°C to +55°C

Type Approvals:
DNV GL

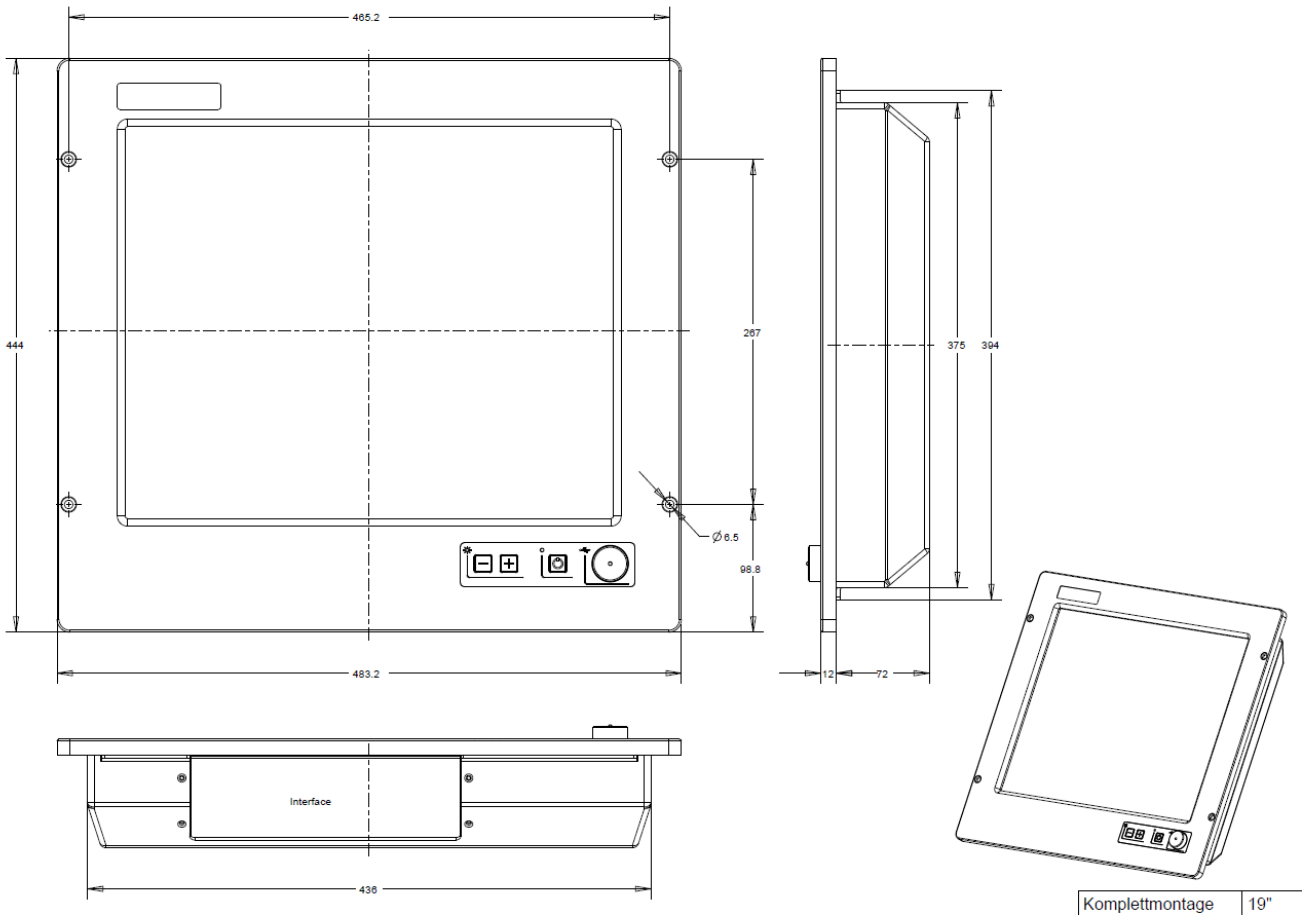
Tested acc. to EN 60945



Order information

Marine Monitor 19

MM19 Glass DC	560.xx2.0000	Marine Monitor MM19, 19" TFT, antireflex glass, without Touch, Power supply 24VDC
MM19 RT DC	565.xx2.0000	Marine Monitor MM19, 19" TFT, resistive Touch, Power supply 24VDC
MM19 Glass AC	560.xx1.0000	Marine Monitor MM19, 19" TFT, antireflex glass, without Touch, Power supply 230VAC
MM19 RT AC	565.xx1.0000	Marine Monitor MM19, 19" TFT, resistive Touch, Power supply 230VAC



Komplettmontage | 19"

Order information

Marine Monitor 19		
MM19 Glass DC 4HF	560.xx2.9000	Marine Monitor MM19, 19" TFT, antireflex glass, without Touch, Power supply 24VDC
MM19 RT DC 4HF	565.xx2.9000	Marine Monitor MM19, 19" TFT, resistive Touch, Power supply 24VDC
MM19 Glass AC 4HF	560.xx1.9000	Marine Monitor MM19, 19" TFT, antireflex glass, without Touch, Power supply 230VAC
MM19 RT AC 4HF	565.xx1.9000	Marine Monitor MM19, 19" TFT, resistive Touch, Power supply 230VAC

Sonove GmbH
 Hindelanger Str. 33
 87527 Sonthofen
 Deutschland
 Tel: +49 8321 67466 200
 Fax +49 8321 67466 199

marine@sonove.com
 www.sonove.com